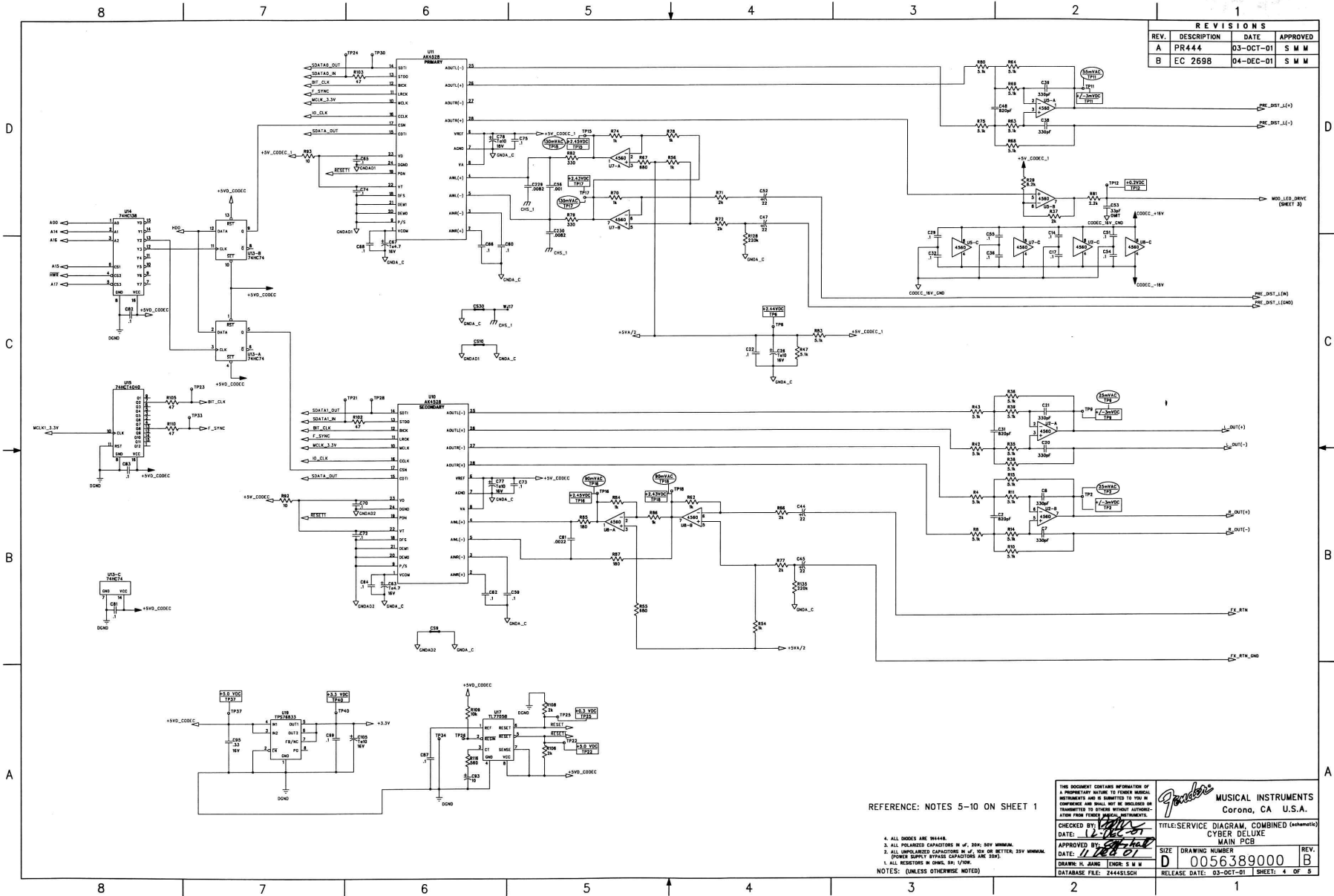


REVISIONS			
REV.	DESCRIPTION	DATE	APPROVED
A	PR444	03-OCT-01	S M M
B	EC 2698	04-DEC-01	S M M

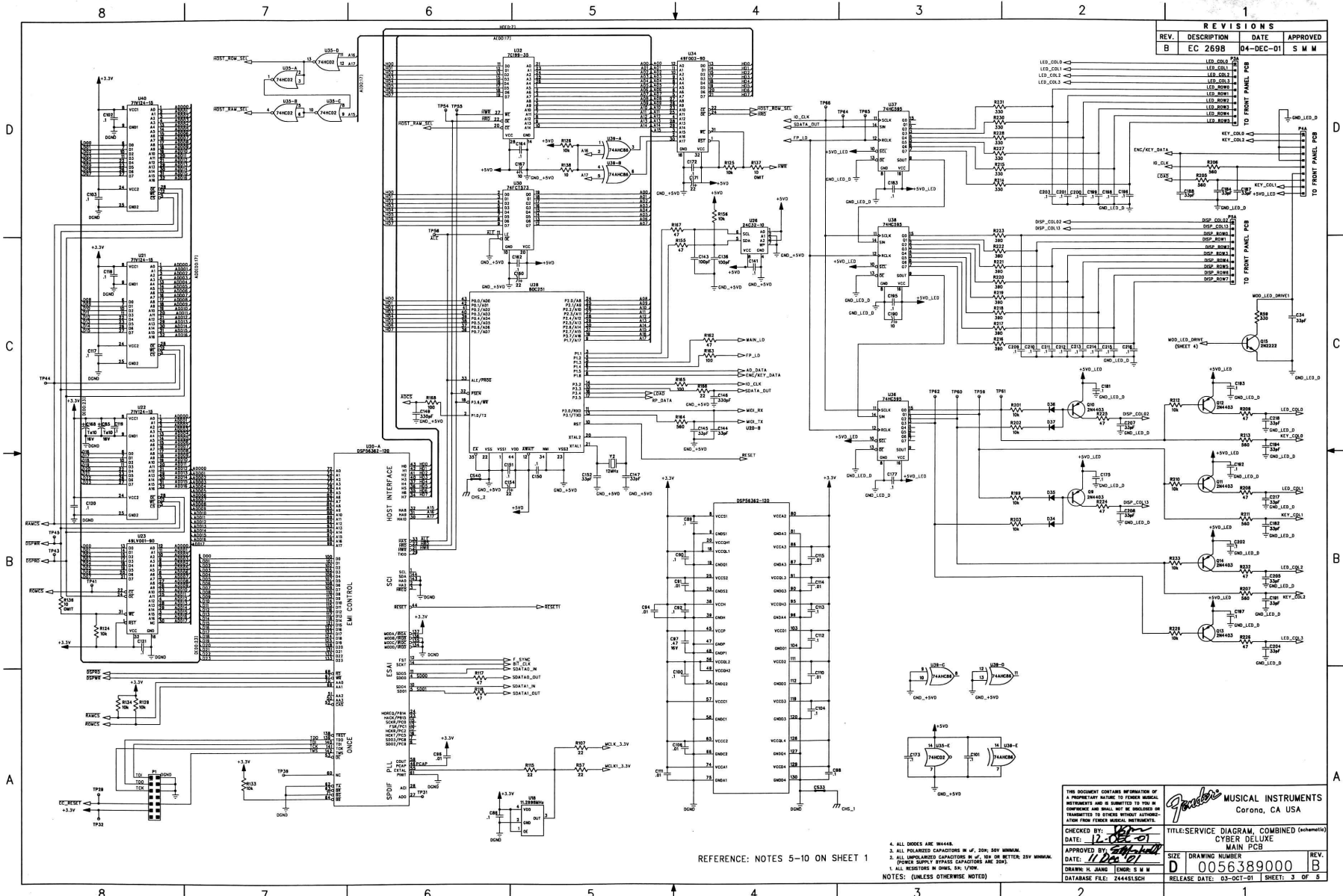


REFERENCE: NOTES 5-10 ON SHEET 1

- ALL DIMS ARE IN MILLIMETERS.
- ALL POLARIZED CAPACITORS IN U.P. 100 OR BETTER. 25V MINIMUM (POWER SUPPLY BYPASS CAPACITORS ARE 50V).
- ALL RESISTORS IN OHMS UNLESS OTHERWISE NOTED.

THIS DOCUMENT CONTAINS INFORMATION OF A PROPRIETARY NATURE TO FENDER MUSICAL INSTRUMENTS AND IS SUBMITTED TO YOU IN CONFIDENCE AND SHALL NOT BE DISCLOSED OR TRANSMITTED TO OTHERS WITHOUT AUTHORIZATION FROM FENDER MUSICAL INSTRUMENTS.		MUSICAL INSTRUMENTS Corona, CA U.S.A.
CHECKED BY: <i>[Signature]</i> DATE: 12-28-01		
APPROVED BY: <i>[Signature]</i> DATE: 1/22/02		TITLE: SERVICE DIAGRAM, COMBINED (mechanical) CYBER DELUXE MAIN PCB
SIZE: D	DRAWING NUMBER: 0056389000	REV: B
DATABASE FILE: 244451SCH		RELEASE DATE: 03-OCT-01 SHEET: 4 OF 5

REVISIONS			
REV.	DESCRIPTION	DATE	APPROVED
B	EC 2698	04-DEC-01	S M M



REFERENCE: NOTES 5-10 ON SHEET 1

THE DOCUMENT CONTAINS INFORMATION OF A PROPRIETARY NATURE TO FENDER MUSICAL INSTRUMENTS AND IS SUBMITTED TO YOU IN CONFIDENCE AND SHALL NOT BE DISCLOSED OR TRANSMITTED TO OTHERS WITHOUT AUTHORIZATION FROM FENDER MUSICAL INSTRUMENTS.

Fender MUSICAL INSTRUMENTS
 Corona, CA USA

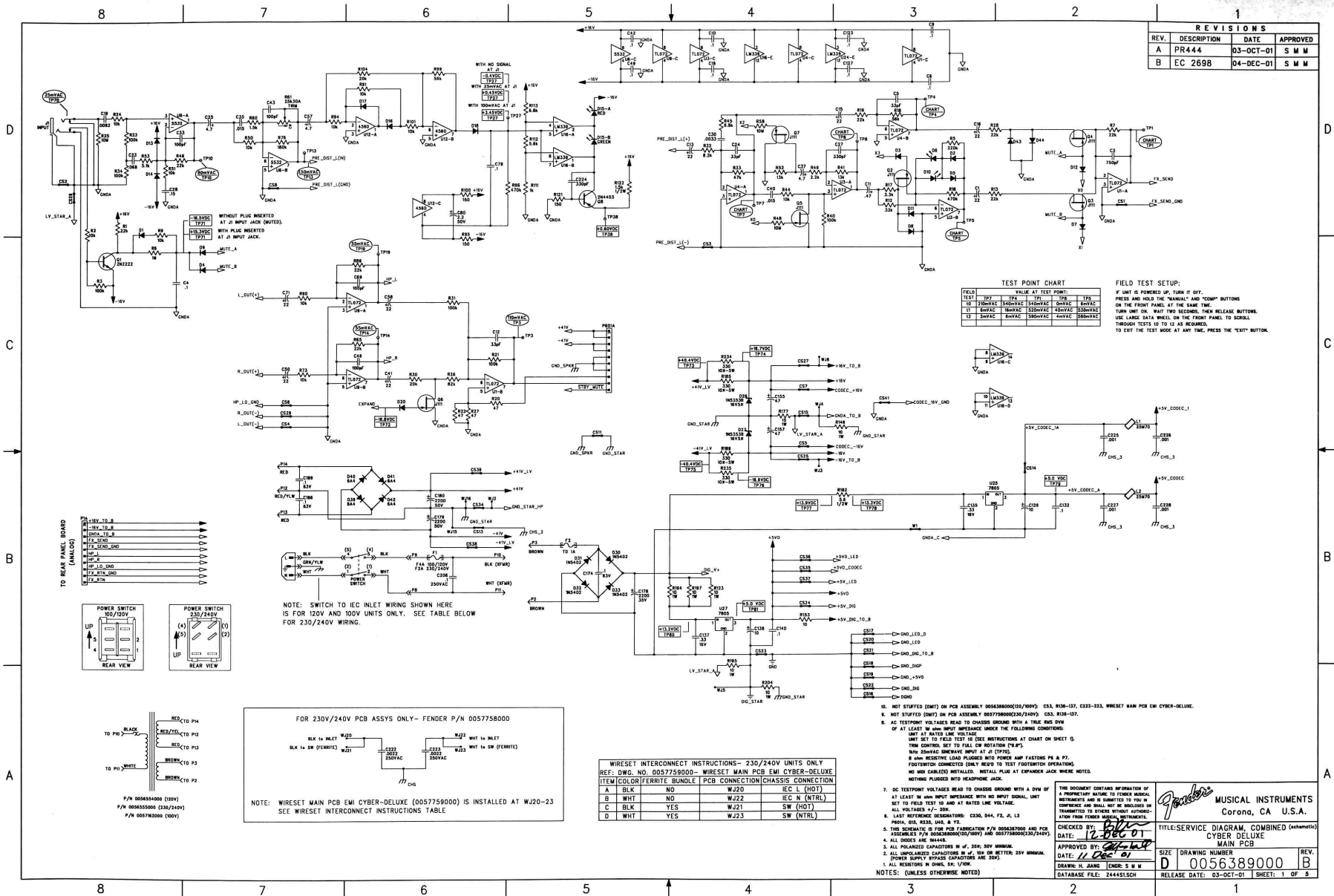
CHECKED BY: *[Signature]*
 DATE: 12-08-01
 APPROVED BY: *[Signature]*
 DATE: 11-29-01
 DRAWING FILE: 244451SCH
 DATABASE FILE: 244451SCH

TITLE: SERVICE DIAGRAM, COMBINED (subsheet)
 CYBER DELUXE
 MAIN PCB

SIZE: **D**
 DRAWING NUMBER: **0056389000**
 RELEASE DATE: 03-0CT-01 SHEET: 3 OF 5

1. ALL RESISTORS IN OHMS, EX. 1/4W
 2. ALL POLARIZED CAPACITORS IN µF, 20% OR BETTER, 25V MINIMUM (POWER SUPPLY BYPASS CAPACITORS ARE 50V)
 3. ALL DIODES ARE 1N4148
- NOTES: (UNLESS OTHERWISE NOTED)

REVISIONS			
REV.	DESCRIPTION	DATE	APPROVED
A	PR444	03-OCT-01	S M M
B	EC 2698	04-DEC-01	S M M



NOTE: SWITCH TO IEC INLET WIRING SHOWN HERE IS FOR 120V AND 100V UNITS ONLY. SEE TABLE BELOW FOR 230/240V WIRING.

POWER SWITCH	120V/100V	230/240V
UP	(1)	(2)
DOWN	(2)	(1)

NOTE: WIRESET MAIN PCB EMI CYBER-DELUXE (0057759000) IS INSTALLED AT W320-23 SEE WIRESET INTERCONNECT INSTRUCTIONS TABLE

WIRESET INTERCONNECT INSTRUCTIONS- 230/240V UNITS ONLY
 REF: DWG. NO. 0057759000 - WIRESET MAIN PCB EMI CYBER-DELUXE
 ITEM/COLOR/FERRITE BUNDLE PCB CONNECTION/CHASSIS CONNECTION

ITEM	COLOR	FERRITE BUNDLE	PCB CONNECTION	CHASSIS CONNECTION
A	BLK	NO	W20	EC L (HOT)
B	WHT	NO	W22	EC N (NTRL)
C	BLK	YES	W21	SW (HOT)
D	WHT	YES	W23	SW (NTRL)

- NOT STUFFED (DWT) ON PCB ASSEMBLY 005438000(05/00V). CS3, R38-37, C323-212. WIRESET MAIN PCB EMI CYBER-DELUXE.
- NOT STUFFED (DWT) ON PCB ASSEMBLY 0057759000(230/240V). CS3, R38-37.
- AC TESTPOINT VOLTAGES READ TO CHASSIS GROUND WITH A TRUE RMS DVM OF AT LEAST 1M OHM INPUT IMPEDANCE UNDER THE FOLLOWING CONDITIONS:
 - THE CONTROL SET TO FULL OF ROTATION (2.5V).
 - THE CONTROL SET TO FULL OF ROTATION (2.5V).
 - 250VAC BREAKAWAY INPUT AT J1 (TP25).
 - 250VAC BREAKAWAY INPUT AT J1 (TP25).
 - 250VAC BREAKAWAY INPUT AT J1 (TP25).
- DO NOT TOUCH (DWT) ON PCB ASSEMBLY 005438000(05/00V). CS3, R38-37, C323-212. WIRESET MAIN PCB EMI CYBER-DELUXE.
- DO NOT TOUCH (DWT) ON PCB ASSEMBLY 0057759000(230/240V). CS3, R38-37, C323-212. WIRESET MAIN PCB EMI CYBER-DELUXE.
- DO NOT TOUCH (DWT) ON PCB ASSEMBLY 005438000(05/00V). CS3, R38-37, C323-212. WIRESET MAIN PCB EMI CYBER-DELUXE.
- DO NOT TOUCH (DWT) ON PCB ASSEMBLY 0057759000(230/240V). CS3, R38-37, C323-212. WIRESET MAIN PCB EMI CYBER-DELUXE.

THIS DOCUMENT CONTAINS INFORMATION OF A PROPRIETARY NATURE TO FENDER MUSICAL INSTRUMENTS AND IS LOANED TO YOU BY INSTRUMENT AND SHALL NOT BE REPRODUCED, TRANSMITTED TO OTHERS WITHOUT AUTHORIZATION FROM FENDER MUSICAL INSTRUMENTS.

CHECKED BY: *[Signature]*
 DATE: 12 DEC 01

APPROVED BY: *[Signature]*
 DATE: 11 DEC 01

DRAWING: H. JAMES [ENC: 5 M W]
 DATABASE FILE: 24445LECH

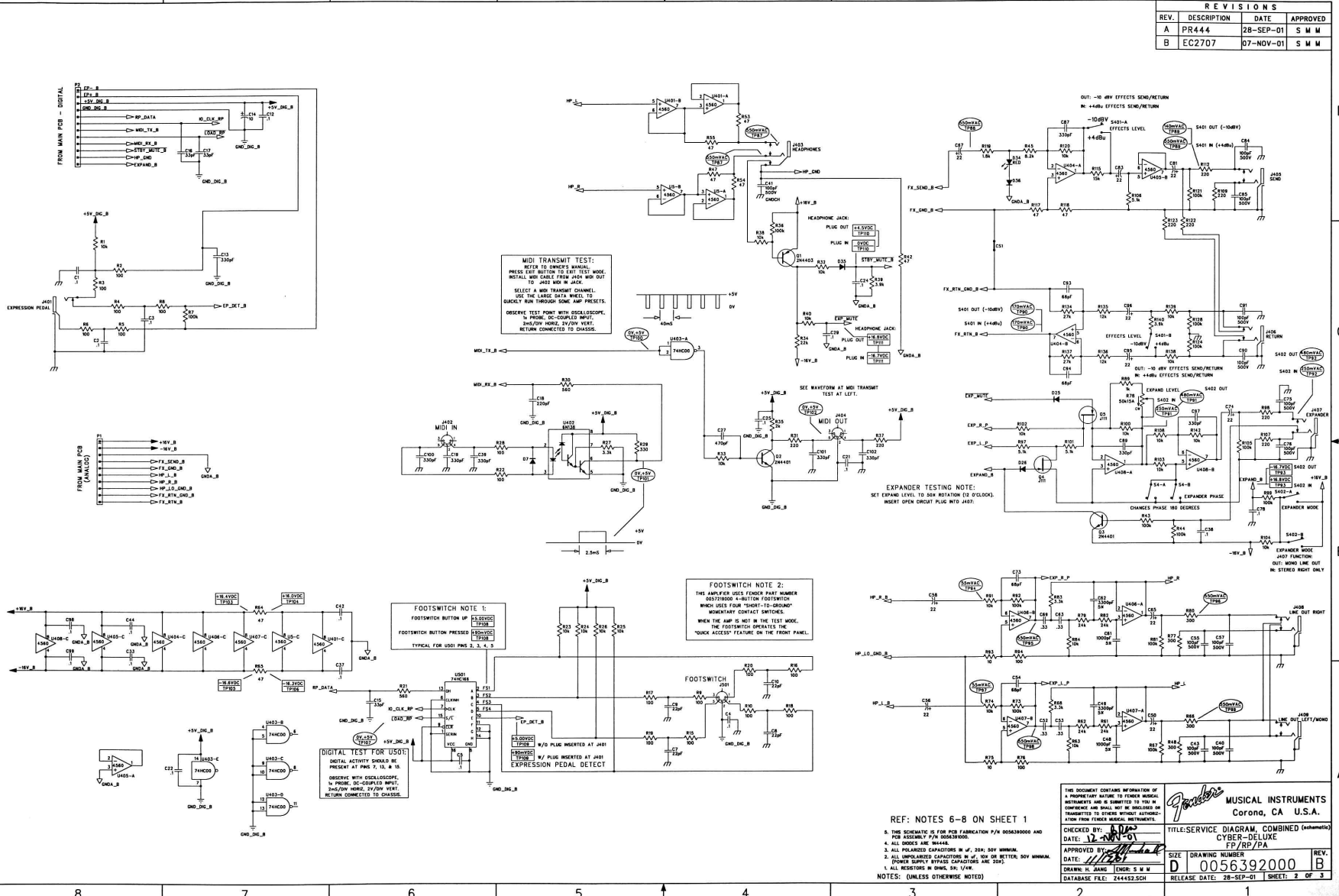
TITLE: SERVICE DIAGRAM COMBINED (MAIN PCB) EMI CYBER-DELUXE MAIN PCB

SIZE: DRAWING NUMBER: **D 0056389000** REV: **B**

RELEASE DATE: 03-OCT-01 SHEET: 1 OF 5

MUSICAL INSTRUMENTS
 Corona, CA U.S.A.

REVISIONS			
REV.	DESCRIPTION	DATE	APPROVED
A	PR444	28-SEP-01	S M M
B	EC2707	07-NOV-01	S M M



MIDI TRANSMIT TEST:
 REFER TO OWNER'S MANUAL FOR
 PRECISION RETURN TO EDIT TEST MODE.
 INSTALL WIRE CABLE FROM JACK WORN OUT
 TO JACK WORN IN JACK.
 SELECT A MIDI TRANSMIT CHANNEL.
 USE THE LABEL DATA WHEEL TO
 QUICKLY RUN THROUGH SOME AMP PRESETS.
 OBSERVE TEST POINT WITH OSCILLOSCOPE.
 IN PHASE, DC-COUPLED INPUT:
 2MS/DIV HORIZ, 2V/DIV VERT.
 RETURN CONNECTED TO CHASSIS.

FOOTSWITCH NOTE 1:
 FOOTSWITCH BUTTON UP
 FOOTSWITCH BUTTON PRESSED
 TYPICAL FOR US01 PMS 2, 3, 4, 5.

FOOTSWITCH NOTE 2:
 THIS AMP/FX USES FENDER PART NUMBER
 503770000 4-WAY/200K FOOTSWITCH
 WHICH USES FOUR "SHORT-TO-GROUND"
 MOMENTARY CONTACT SWITCHES.
 WHEN THE AMP IS NOT IN THE TEST MODE,
 THE FOOTSWITCH OPERATES THE
 "QUICK ACCESS" FEATURE ON THE FRONT PANEL.

DIGITAL TEST FOR US01:
 DIGITAL ACTIVITY SHOULD BE
 PRESENT AT PMS 1, 3, & 5.
 OBSERVE WITH OSCILLOSCOPE,
 IN PHASE, DC-COUPLED INPUT:
 2MS/DIV HORIZ, 2V/DIV VERT.
 RETURN CONNECTED TO CHASSIS.

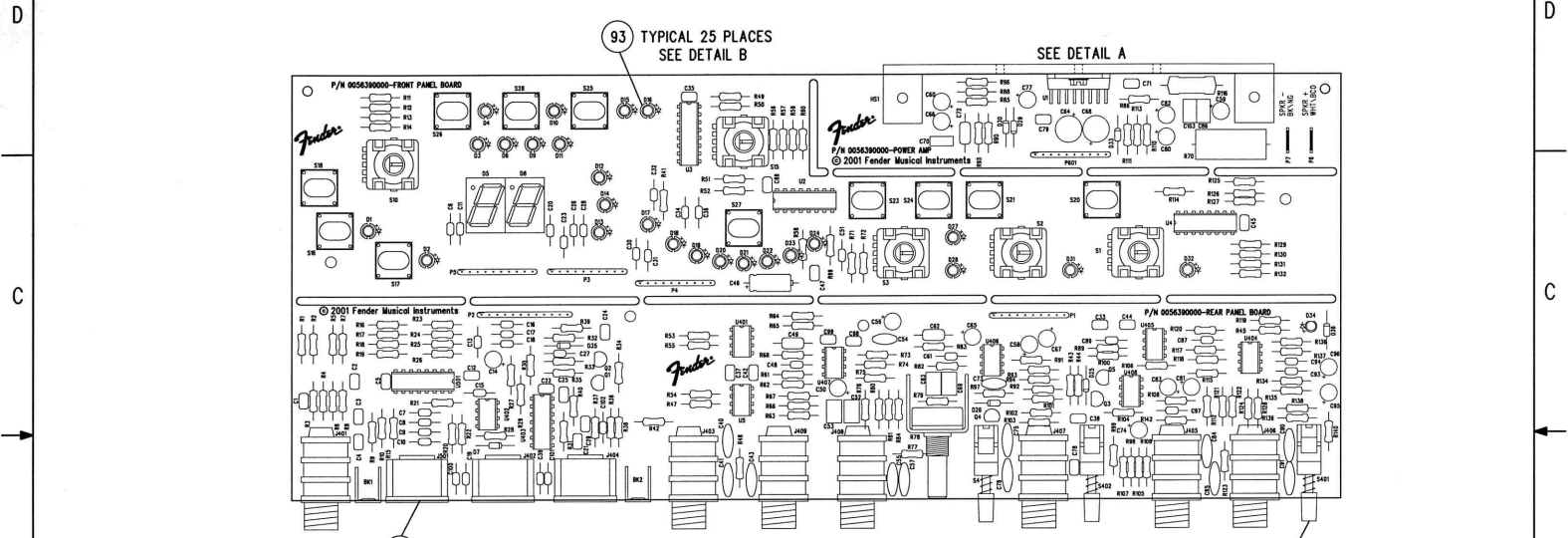
REF: NOTES 6-B ON SHEET 1
 5. THIS SCHEMATIC IS FOR FABRICATION P/N 0056392000 AND
 FOR ASSEMBLY P/N 006309000.
 6. ALL SOCKETS ARE W4448.
 7. ALL POLARIZED CAPACITORS IN μ F, 50V, 50V MINIMUM.
 8. ALL UNPOLARIZED CAPACITORS IN μ F, 10V OR BETTER, 50V MINIMUM.
 9. POWER SUPPLY BYPASS CAPACITORS ARE 200 μ F.
 1. ALL RESISTORS IN OHMS, UNLESS NOTED.
 NOTES: (UNLESS OTHERWISE NOTED)

THE DOCUMENT CONTAINS INFORMATION OF A PROPRIETARY NATURE. IT IS THE PROPERTY OF FENDER MUSICAL INSTRUMENTS AND IS LOANED TO YOU BY FENDER MUSICAL INSTRUMENTS. IT IS NOT TO BE REPRODUCED, COPIED, TRANSMITTED TO OTHERS WITHOUT AUTHORITY, OR FOR ANY OTHER PURPOSES. DRAWING: H. HANSEN [CHECK] S. M. W. W. DATABASE FILE: 244562.SCH		Fender MUSICAL INSTRUMENTS Corona, CA U.S.A.	
CHECKED BY: <i>[Signature]</i> DATE: 12-NOV-01 APPROVED BY: <i>[Signature]</i> DATE: 12-NOV-01 DRAWING NUMBER: SIZE: D RELEASE DATE: 28-SEP-01	TITLE: SERVICE DIAGRAM, COMBINED (continued) CYBER-DELUXE FD/RD/PA SIZE: D DRAWING NUMBER: 0056392000 RELEASE DATE: 28-SEP-01	SHEET: 3 OF 3	REV. B

8 7 6 5 4 3 2 1

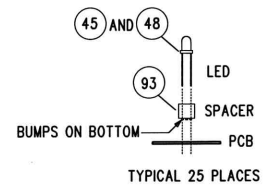
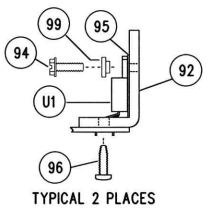
REVISIONS			
REV.	DESCRIPTION	DATE	APPROVED
A	PR444	28-SEP-01	S M M
B	EC2707	07-NOV-01	S M M

FILE/DWG: PCB ASSEMBLY DRAWING
 DATABASE: Z444P2.PCB DATE: 07-NOV-01



INSTALL 2 SCREWS EACH AT J402, J404, J501
 INSTALL UNDERNEATH PCB

TYPICAL 3 PLACES



NOTE: THERMAL GREASE REQUIRED BOTH SIDES OF ITEM 95.

DETAIL A

DETAIL B

1. SEE A-SIZE SHEETS 2 THROUGH 4 FOR BOM.
 NOTES: (UNLESS OTHERWISE NOTED)

THIS DOCUMENT CONTAINS INFORMATION OF A PROPRIETARY NATURE TO FENDER MUSICAL INSTRUMENTS AND IS SUBMITTED TO YOU IN CONFIDENCE AND SHALL NOT BE DISCLOSED OR TRANSMITTED TO OTHERS WITHOUT AUTHORIZATION FROM FENDER MUSICAL INSTRUMENTS.		MUSICAL INSTRUMENTS Corona, CA USA	
CHECKED BY: <i>[Signature]</i> DATE: 7-11-01	TITLE: PCB ASSEMBLY, CYBER DELUXE FP\RP\PA		
APPROVED BY: <i>[Signature]</i> DATE: 11/2/01	SIZE: C	DRAWING NUMBER: 0056391000	REV. B
DRAWN: DON FOX DATABASE FILE: Z444P2.PCB	ENGR: S M M	RELEASE DATE: 28-SEP-01	SHEET 1 OF 4

8 7 6 5 4 3 2 1